



# MNDC INSTRUCTIONS

Model: MNDC125, MNDC175, MNDC250



Shown with 250 amp sized breaker



MNDC closed

The Mini-DC was designed to take into account many different types of renewable energy installations. These installation instructions will describe and show some of the more common possibilities.

## Features:

- Aluminum chassis. (no rust in the tropics or around salt water)
- Hinged door for easy access to electrical circuits
- Inverter breaker included (125, 175 or 250 amp)
- Din rail for DC circuits such as PV in, Chg Cntrl out, DC-GFP, DC loads, PV combiner
- Ground bus bar with 14 poles
- Six mounting spots for 500 amp, 50mV shunt
- Mounting spot for insulated bus bar (for PV negative connection point)
- Knock outs for inverter and battery cables, charge control mounting, DC & PV in & out
- 5/16" diameter stud for battery negative tie point

# IMPORTANT SAFETY INSTRUCTIONS

**SAVE THESE INSTRUCTIONS** - These instructions contain important safety and operating instructions for the MidNite Solar DC Disconnect models MNDC125, MNDC175 and MNDC250 for residential and commercial applications.

If you do not fully understand any of the concepts, terminology, or hazards outlined in these instructions, please refer installation to a qualified dealer, electrician or installer. These instructions are not meant to be a complete explanation of a renewable energy system.

### GENERAL PRECAUTIONS

**WORKING WITH OR IN THE VICINITY OF A LEAD ACID BATTERY, SEALED OR VENTED IS DANGEROUS. VENTED BATTERIES GENERATE EXPLOSIVE GASES DURING NORMAL OPERATION. FOR THIS REASON, IT IS VERY IMPORTANT THAT BEFORE SERVICING EQUIPMENT IN THE VICINITY OF LEAD-ACID BATTERIES, YOU REVIEW AND FOLLOW THESE INSTRUCTIONS CAREFULLY.**

If service or repair should become necessary, contact MidNite solar Inc. Improper servicing may result in a risk of shock, fire or explosion. To reduce these risks, disconnect all wiring before attempting any maintenance or cleaning. Turning off the inverter will not reduce these risks. Solar modules produce power when exposed to light. When it is not possible to disconnect the power coming from the Photovoltaics by an external means such as a combiner, cover the modules with an opaque material before servicing any connected equipment.

Never attempt to charge a frozen battery.

When it is necessary to remove a battery, make sure that the battery bank disconnect breaker is in the off position and that the PV breakers, grid breakers and any other sources of power to the inverter are in the off position. Then remove the negative terminal from the battery first.

To reduce risk of battery explosion follow these instructions and those published by the battery manufacturer as well as the manufacturer of any additional equipment used in the vicinity of the batteries. Before installing the battery enclosure, read all instructions and cautionary markings in or on any connected electrical equipment.

Avoid producing sparks in the vicinity of the batteries when using vented batteries. Provide ventilation to clear the area of explosive gases. Sealed AGM and Gel batteries do not under normal conditions create explosive gases. Be especially cautious when using metal tools. Dropping a metal tool onto batteries can short circuit them. The resulting spark can lead to personal injury or damage to the equipment. Provide ventilation to outdoors from the battery compartment when installing vented batteries such as golf cart T-105 batteries. The addition of a spill tray is also a good idea.

Clean all battery terminals. Very high currents are drawn from the batteries; even a small amount of electrical resistance can result in overheating, poor performance, premature failure or even fire.

Have plenty of fresh water and soap nearby in case battery acid contacts skin, clothing or eyes. Wear complete eye and clothing protection. Always avoid touching eyes while working near batteries. If battery acid or battery terminal corrosion contacts skin or clothing, wash immediately with soap and water. If acid enters the eyes, immediately flood with cool running water for at least 15 minutes and get medical attention immediately. Baking soda neutralizes battery acid electrolyte. Keep a supply near the batteries.

Do not work alone. Someone should be in the range of your voice or close enough to come to your aid when you work with or near electrical equipment.

Remove rings, bracelets, necklaces, watches etc. when working with batteries, photovoltaic modules or other electrical equipment. Power from an illuminated photovoltaic array makes a very effective arc welder with dire consequences if one of the welded pieces is on your person.

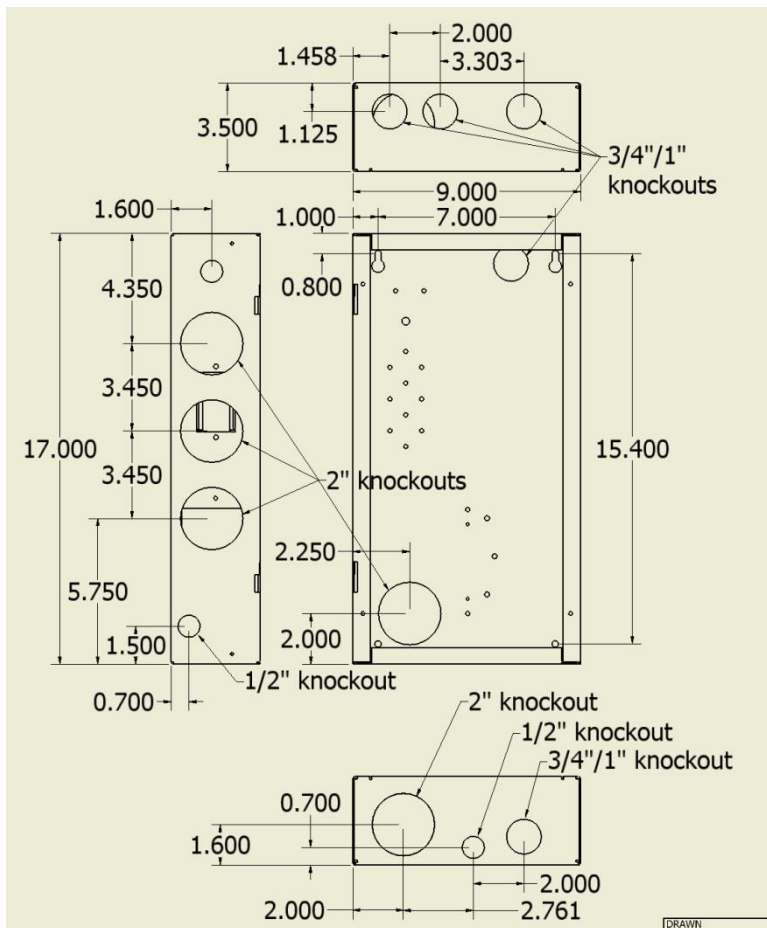
To reduce the risk of injury, connect only deep cycle lead acid type rechargeable batteries. Other types of batteries may leak or burst, causing personal injury or damage.

# MNDC Instructions (continued)

## Dimensioned drawing showing conduit locations and sizes

Top view showing three 1" knockouts. The left two knockouts fit charge controllers such as the Classic, MX60, C-40 and Tristar controllers

The left side of the MNDC chassis has three 2" knockouts and two 1/2" knockouts. The 2" knockouts are intended for inverter DC cables. If installing to a Trace or Xantrex SW inverter, use a 2" offset nipple to attach to the SWCB conduit box. If routing cables directly through the hole with no conduit, make sure a plastic grommet is installed to avoid chafing.

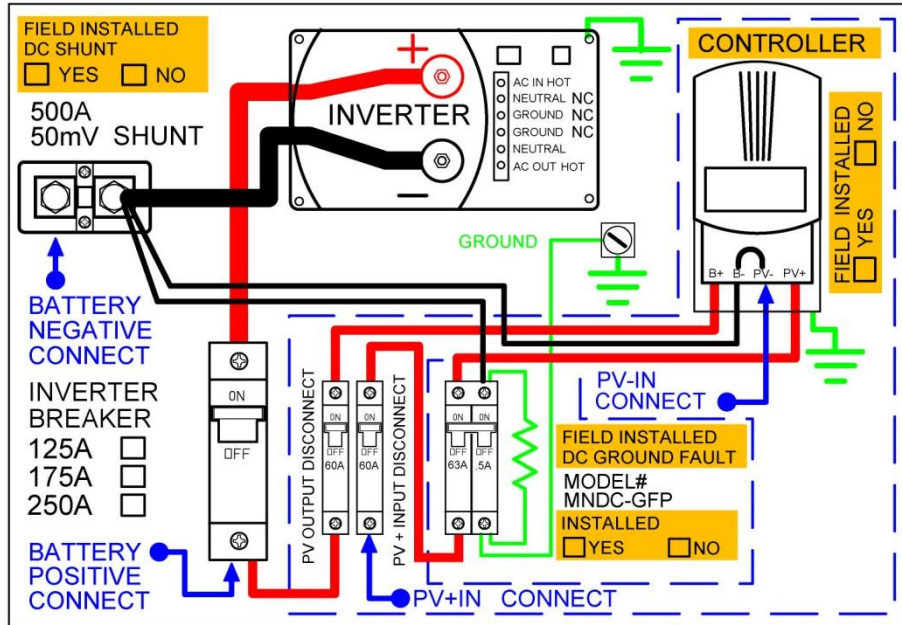


The bottom surface is normally where the battery cables will enter. The 1" knockout can be increased in size to accommodate a second 2" conduit opening if required. This is one way to hook up to a Trace or Xantrex DR Series conduit box.

### Wire type

Due to the small size of this box and limited wire bending room, it is required that the super flexible type battery cable be utilized. Cobra Cable X-Flex is one approved type of cable. Welding cable although not listed for use in residential wiring will also meet the flexibility requirement. Wiring for the din rail mount breakers such as 6AWG for PV circuits may be the stiff THHN or similar type of wire.

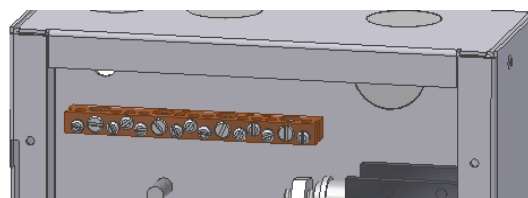
## MNDC Instructions (continued)



Wiring diagram supplied on the door of MNDC

### Grounding

There are various ground circuits that need to be considered in the renewable energy system. The MNDC chassis should be grounded to your earth ground rod through a 6AWG wire connected to the ground bus bar located in the top left section of the MNDC chassis. The MNDC ground bus bar will then become your primary system DC ground. The ground bus bar is also where DC surge suppressors like the MNSPD get grounded. It is advisable to use one of the ½" conduit knockouts to mount a DC lightning arrester to the MNDC box. It is also common to have a DC lightning arrester out at the PV Panels that are grounded through their own ground rod. In dry climates it is advisable to also run a ground wire from the PV panels to the MNDC ground. The MNDC ground bus bar is an ideal place to ground a DC-GFP when installed as well as the inverter chassis and the charge control chassis. Do the grounds first since they normally lie in the bottom of the chassis.



Ground Bus Bar

### Battery Negative connection

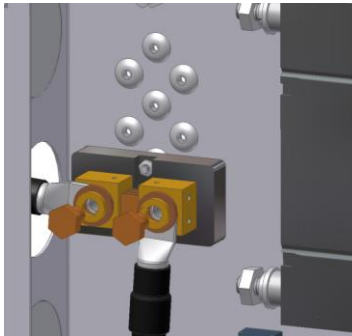
The wiring diagram shows a 500 amp shunt. The voltage drop across the shunt is used to aid in calculating battery state of charge. The shunt does not ground the battery negative circuit. If this shunt is not installed, then you may use the 5/16" stud directly above the shunt area as a battery negative tie point. Using this tie point will ground the battery negative to the chassis. Grounding the battery negative is not allowed when employing a DC-GFP device. The inverter side of the shunt or the 5/16" stud are also an ideal tie point for PV negative or other DC negative circuits.

# MNDC Instructions (continued)

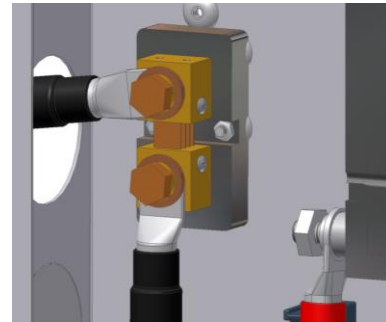
## Battery Positive connections

DC positive from the battery bank connects to the lower section of the large DC inverter breaker. The lower inverter breaker stud is also the common point for connection of additional DC circuits such as from the output of a charge controller. Do not connect other charging sources to the top of the inverter breaker as this would apply power to the inverter even when the inverter breaker is turned off. The top section of the inverter breaker connects to the inverter positive battery terminal post. The photo on page 6 shows the inverter breaker wired with an additional charging source connected to the bottom section of the breaker.

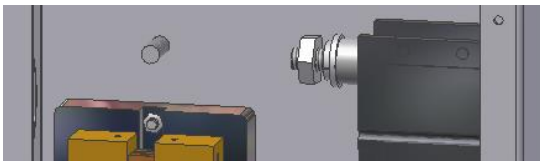
Battery status monitor systems such as the Trimetric, E-Meter, and Trace Meter etc are available with or without the 500 amp 50mV shunt. The MNDC does not come with this shunt, so you will need to order the shunt.



Shunt mounted horizontal on bottom dimples



Shunt mounted vertical on bottom dimples

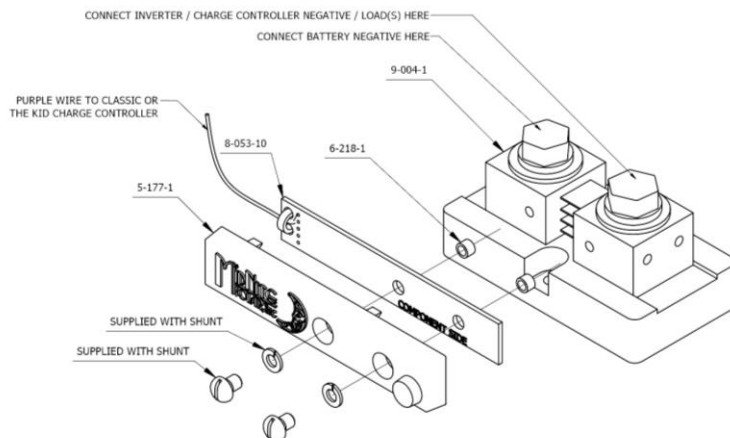


5/16" stud for battery negative tie point

The hardware kit bag contains a 5/16" kepnut for use with this grounding battery negative stud.

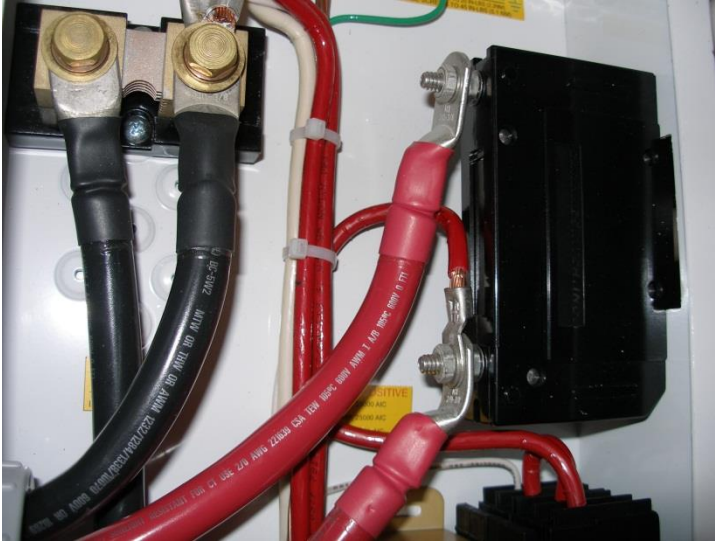
## Optional Accessory: Whiz Bang Jr.

The Whiz Bang Jr is a current sense module that attaches to the standard 50mv / 500A Shunt (Sold separately) and wires into the Classic or KID Charge controllers to give Amperage readings from the shunt. This allows for EndAmps to function based on System amps or Classic amps and more. Refer to the documentation that came with the Whiz Bang Jr or visit us online at [www.midnitesolar.com](http://www.midnitesolar.com) for more information.



WBJR. Info

## MNDC Instructions (continued)



**Battery Positive connections and shunt wiring**

Note the 6AWG wire connected to the lower section of the inverter battery breaker. This comes from the output breaker from a charge controller.

The inverter negative shunt connection has the corresponding negative circuit from the charge controller and negative from the DC-GFP.



**Wire exit to inverter**

There are three 2" conduit knock outs for inverter wire exit. Carefully analyze the possible wire exit paths to the inverter. Six different shunt placement options have been provided in order to better accommodate a wide range of inverter options. Cables may also exit the bottom in order to reach an inverter not mounted to the left of the MNDC enclosure.

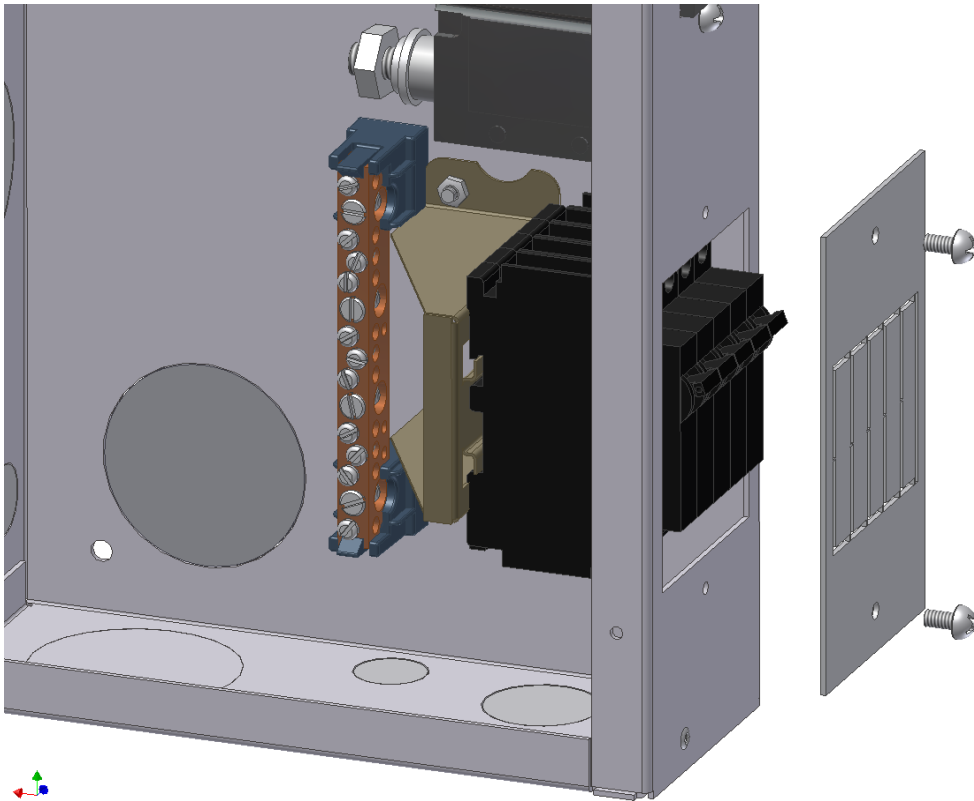


**Din Rail mounted breakers**

Din Rail mount breakers shown are for a solar charge controller and a DC-GFP.

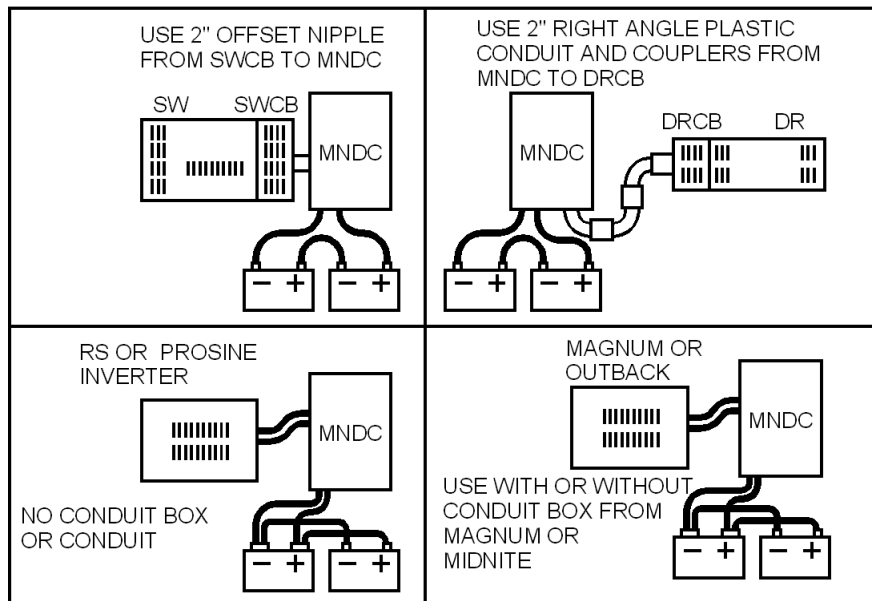
PV in is entering the MNDC from the bottom in this photo.

## MNDC Instructions (continued)



Remove the DC breaker cover to install din rail mount breakers. Insure the yellow tab snaps into place to secure the breakers. Strip wires 3/8" and bend at 3/4" from end. This section is very tight so pay close attention to wire routing. Use cable ties to secure wires in a neatly routed bundle. Lay the cover plate on a flat scrap wood surface and using a flat screw driver blade and hammer cut the tabs.

DC Breakers and Cover



MNDC uses for various different inverter installations.



**MNDC fully wired**



Need more help? Want to watch someone install one? MidNite Solar's PowerTime videos can amuse and enlighten. <http://www.midnitesolar.com/videoDisplay.php>



**MNSPD Surge Protective Device**

### **Are you protected from surges?**

The MidNite Solar Surge Protector Device (MNSPD) is a Type 2 device per UL1449 rev3. It is designed for both AC and DC systems and provides protection to service panels, load centers or where the SPD is directly connected to the electronic device requiring protection.

Sold separately. But a really good idea.



## MNDC Instructions (continued)

---

### **MIDNITE SOLAR INC. LIMITED WARRANTY** **MidNite Solar Power electronics, sheet metal enclosures and accessories**

MidNite Solar Inc. warrants to the original customer that its products shall be free from defects in materials and workmanship. This warranty will be valid for a period of five (5) years for all products except the MNKID Charge Controller which will be two (2) years.

At its option, MidNite Solar will repair or replace at no charge any MidNite product that proves to be defective within such warranty period. This warranty shall not apply if the MidNite Solar product has been damaged by unreasonable use, accident, negligence, service or modification by anyone other than MidNite Solar, or by any other causes unrelated to materials and workmanship. The original consumer purchaser must retain original purchase receipt for proof of purchase as a condition precedent to warranty coverage. To receive in-warranty service, the defective product must be received no later than two (2) weeks after the end of the warranty period. The product must be accompanied by proof of purchase and Return Authorization (RA) number issued by MidNite Solar. For an RMA number contact MidNite Solar Inc., 17722 67<sup>th</sup> Ave NE, Arlington, WA 98223 (360) 403-7207.

Purchasers must prepay all delivery costs or shipping charges to return any defective MidNite Solar product under this warranty policy. Except for the warranty that the products are made in accordance with, the specifications therefore supplied or agreed to by customer:

MIDNITE SOLAR MAKES NO WARRANTY EXPRESSED OR IMPLIED, AND ANY IMPLIED WARRANTY OF MERCHANTABILITY OR FITNESS FOR A PARTICULAR PURPOSE WHICH EXCEEDS THE FOREGOING WARRANTY IS HEREBY DISCLAIMED BY MIDNITE SOLAR AND EXCLUDED FROM ANY AGREEMENT MADE BY ACCEPTANCE OF ANY ORDER PURSUANT TO THIS QUOTATION. MIDNITE SOLAR WILL NOT BE LIABLE FOR ANY CONSEQUENTIAL DAMAGES, LOSS OR EXPENSE ARISING IN CONNECTION WITH THE USE OF OR THE INABILITY TO USE ITS GOODS FOR ANY PURPOSE WHATSOEVER. MIDNITE SOLAR'S MAXIMUM LIABILITY SHALL NOT IN ANY CASE EXCEED THE CONTRACT PRICE FOR THE GOODS CLAIMED TO BE DEFECTIVE OR UNSUITABLE.

Products will be considered accepted by customer unless written notice to the contrary is given to MidNite Solar within ten (10) days of such delivery to customer. MIDNITE SOLAR is not responsible for loss or damage to products owned by customer and located on MIDNITE SOLAR'S premises caused by fire or other casualties beyond MIDNITE SOLAR'S control. This warranty is in lieu of all other warranties expressed or implied.

MIDNITE SOLAR INC. 17722 67<sup>TH</sup> AVE NE ARLINGTON, WA 98223  
Email: [info@midnitesolar.com](mailto:info@midnitesolar.com)  
PH: 360.403-7207 FAX: 360-691-6862